

# Kidde ECS Fire Suppression System Marine Series Component Description

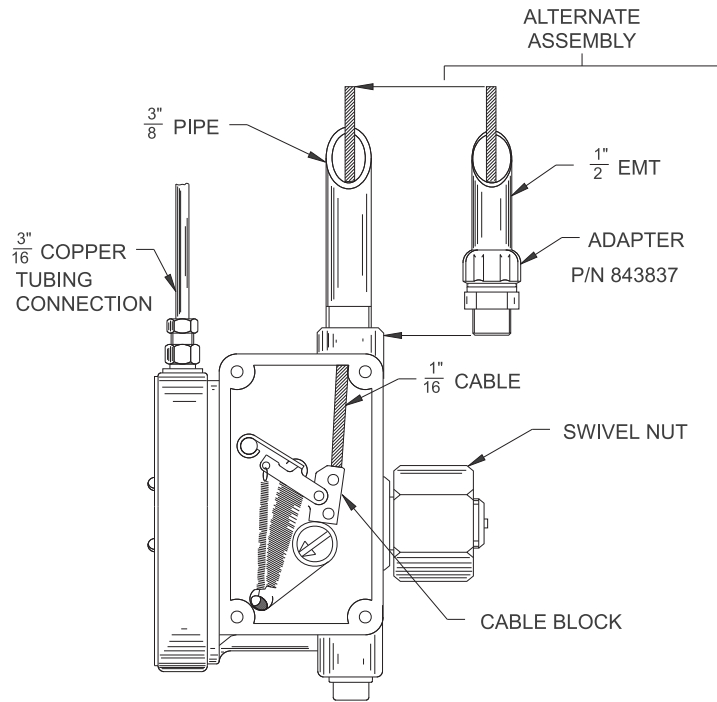


Effective: June 2014  
K-90-7011M Rev BA

## Single Pneumatic Control Head

### FEATURES

- For Use in Marine Applications Only
- RoHS Compliant



### COMPATIBILITY

Series	For Use With
Kidde ECS HFC-227ea	X
Kidde ECS Advanced Delivery FM-200®	X

### PART NUMBERS

Pneumatic Control Head. 3in. 5 seconds	81-872335-000
Pneumatic Control Head. 6in. 5 seconds	81-872365-000
Pneumatic Control Head. 6in. 2 seconds	81-872362-000

This literature is provided for informational purposes only. KIDDE-FENWAL, INC. assumes no responsibility for the product's suitability for a particular application. The product must be properly applied to work correctly. If you need more information on this product, or if you have a particular problem or question, contact KIDDE-FENWAL, Inc.

FM-200 is a registered trademark of E.I. du Pont de Nemours and Company. Kidde is a registered trademark of Kidde-Fenwal Inc. All other trademarks are the property of their respective owners.